

RB751M3-40

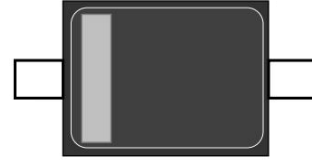
Schottky Diode

FEATURE

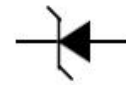
- Low Forward Voltage Schottky Rectifier
- SOD323F Thin SMD package
- RoHS compliant / Green EMC
- Matte Tin (Sn) Lead finish
- Cathode Band / Device marking

MARKING: C9

SOD-323F



Schematic diagram



ABSOLUTE MAXIMUM RATINGS ($T_a=25^\circ\text{C}$ unless otherwise noted)

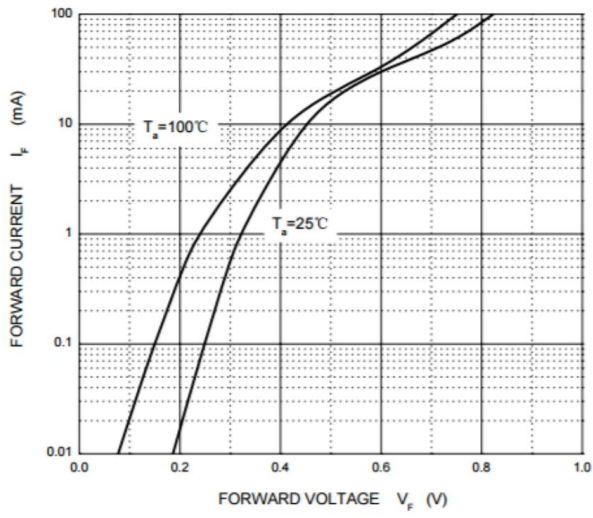
Parameter	Symbol	Value	Unit
Repetitive Peak Reverse Voltage	V_{RRM}	40	V
DC Blocking Voltage	V_R	30	V
Continuous Forward Current	I_O	30	mA
Non-Repetitive Peak Forward Current *1	I_{FSM}	0.2	A
Power Dissipation	P_D	200	mW
Junction Temperature	T_J	125	$^\circ\text{C}$
Storage Temperature	T_{STG}	-55 to +125	$^\circ\text{C}$

*1 8.3 ms single half sine-wave

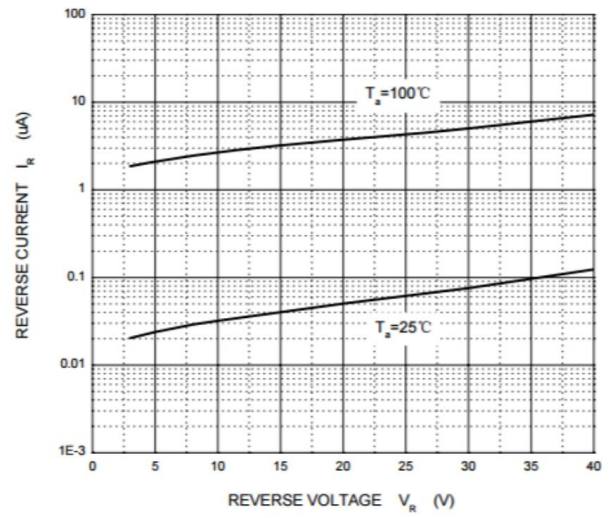
ELECTRICAL CHARACTERISTICS ($T_a=25^\circ\text{C}$ unless otherwise noted)

Parameter	Symbol	Test Condition	Min	Type	Max	Unit
Forward Voltage	V_F	$I_F = 1\text{mA}$			0.37	V
Reverse Current	I_R	$V_R = 30\text{V}$			0.5	μA
Capacitance	C	$V_R = 1\text{V}, f = 1\text{MHz}$		2		pF

Characteristics Curves



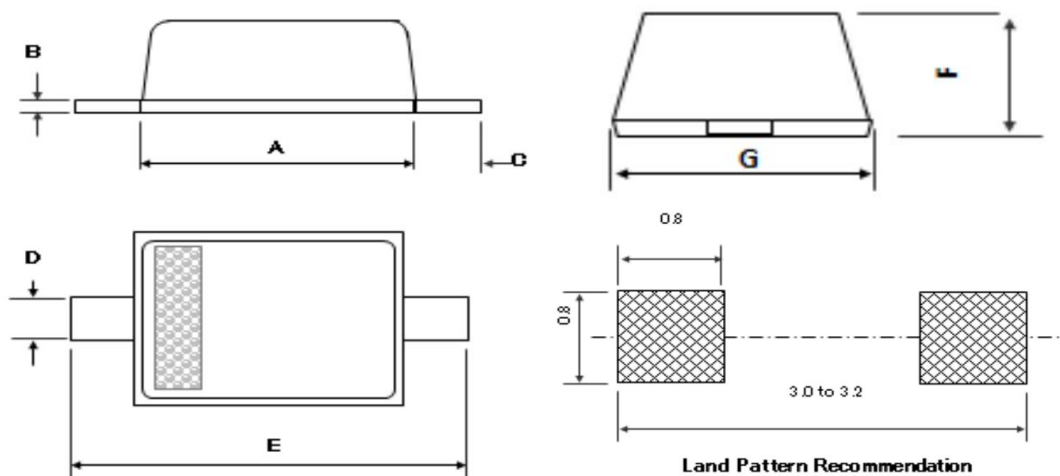
FORWARD VOLTAGE V_F (V)



REVERSE VOLTAGE V_R (V)

SOD-323F Package Information

Device	Package	Shipping	Tape wide	Emboss pitch	Tape specification	Notes
RB751M3-40	SOD323F	Tape & Reel 3000pcs /7" Reel	8 mm	4 mm	Conductive	



SOD323F * Package Outline

Symbol	Dimensions In Millimeters		
	Min	Typ	Max
A	1.600	-	1.800
B	0.06	-	0.21
C	0.30	-	0.50
D	0.25	-	0.40
E	2.30	-	2.70
F	0.60	-	0.75
G	1.15	-	1.35

1. Unit mm